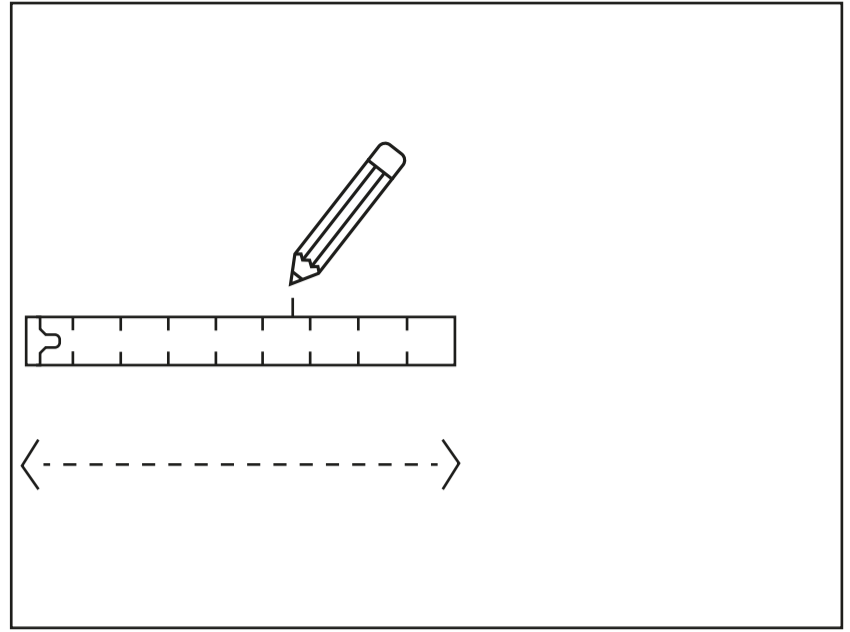


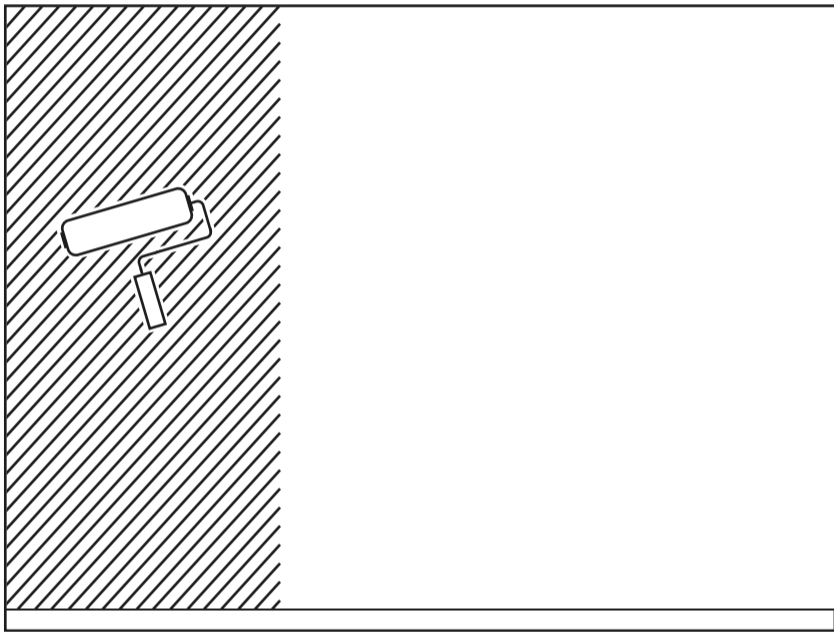
Step 1: Organize your wallpaper strips

Lay out all strips in order on the floor according to the number marked on the bottom of each strip.



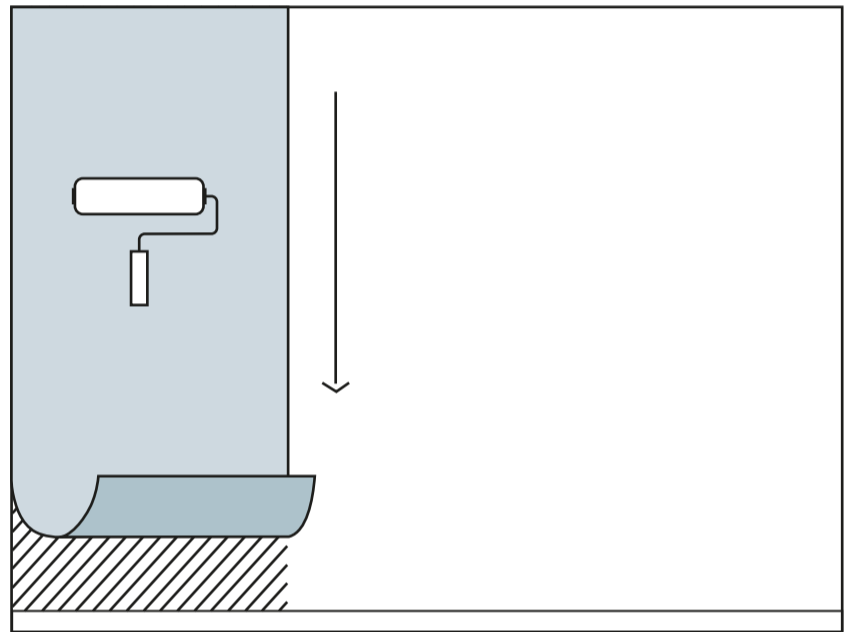
Step 2: Measure and Mark Start Point

Measure the wall and mark your starting point, or start in the left corner if covering the entire wall.



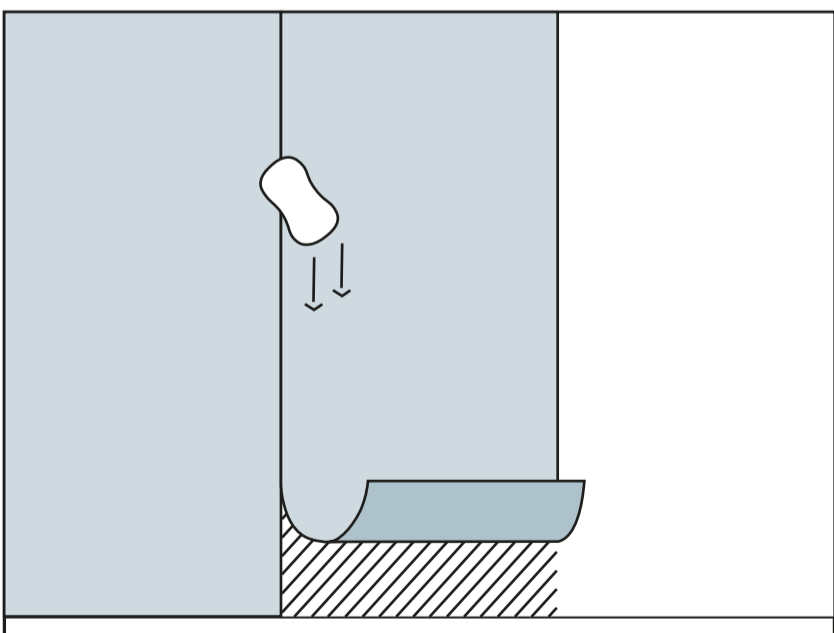
Step 3: Applying Paste

Stir the paste to the correct consistency - slightly thick. Apply an even coat to the wall using a roller.



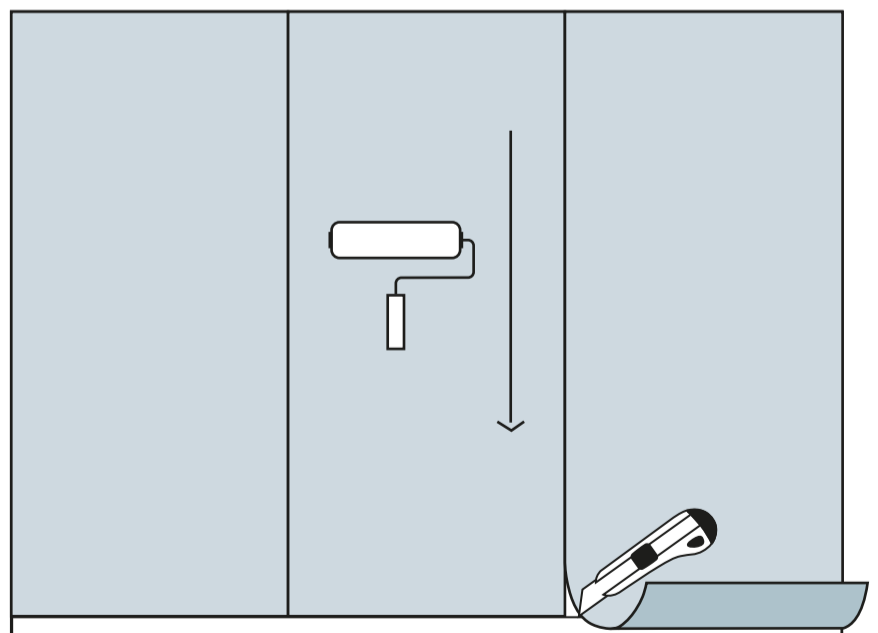
Step 4: Hanging the First Strip

Hang the left-most strip according to your start mark or wall. Apply the first starting from the top and working downwards. Carefully smooth down with a roller.



Step 5: Hang consecutive Strips

Hang following strips edge to edge without overlapping. Gently wipe away any excess paste with a damp, soft sponge. Do not rub.



Step 6: Finishing Touches

After all strips have been applied, pass the roller through all the strips to ensure adhesion. Trim away excess paper with a sharp knife. Stand back and admire your new wall!